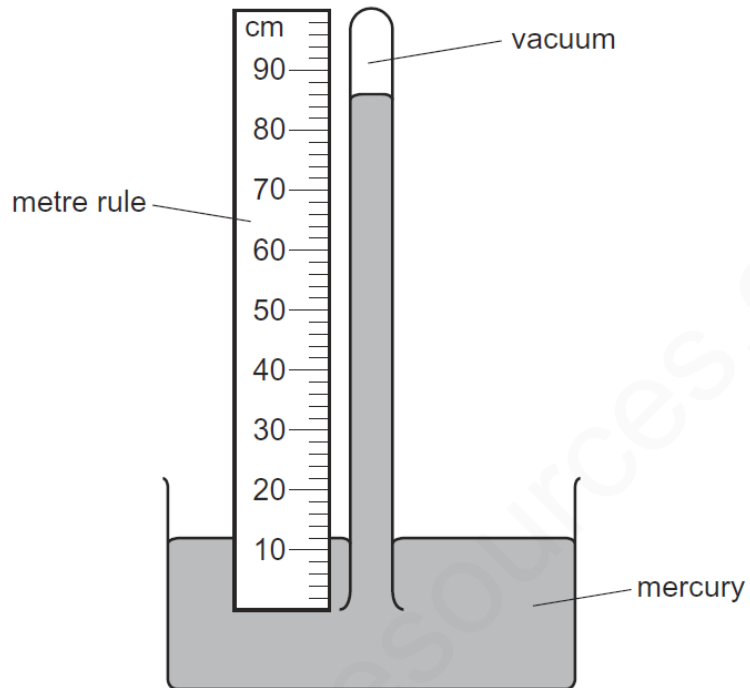


BAROMETERS-SET-2

1

The diagram shows a simple mercury barometer.



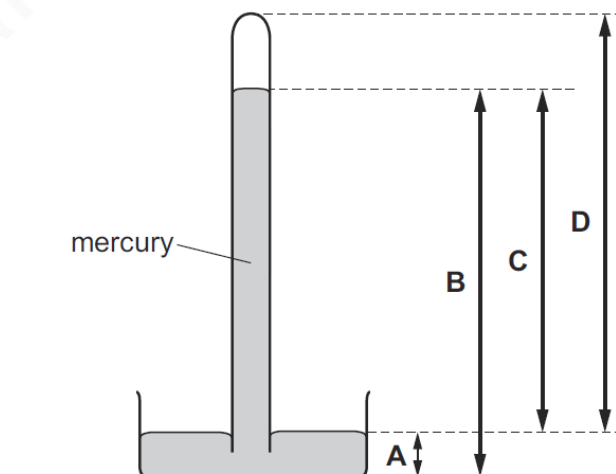
Which length is used to find the value of atmospheric pressure?

- A** 12 cm **B** 74 cm **C** 86 cm **D** 100 cm

2

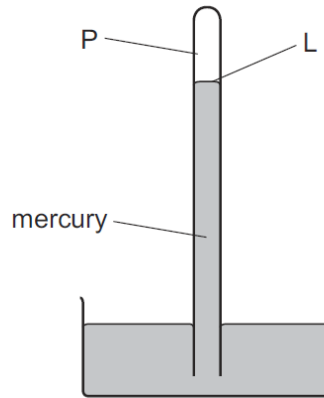
The diagram shows a simple mercury barometer.

Which height is used as a measurement of atmospheric pressure?



3

The diagram shows a simple mercury barometer, used to measure atmospheric pressure.



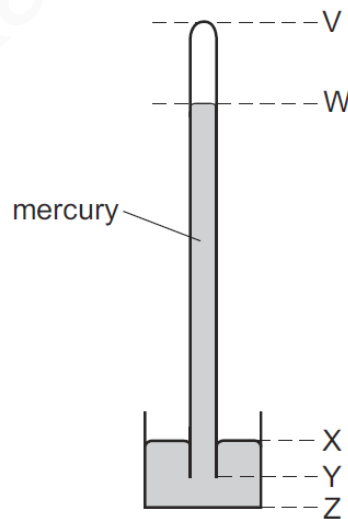
Atmospheric pressure decreases.

Which row states what happens to the pressure at point P and what happens to the level L?

	pressure at P	level L
A	decreases	falls
B	decreases	rises
C	stays the same	falls
D	stays the same	rises

4

The diagram shows a simple mercury barometer.



The atmospheric pressure increases.

Which distance increases?

- A** VW **B** WY **C** XY **D** XZ

5	<p>A simple barometer includes a column of mercury.</p> <p>Which property of this column of mercury is used to give a measurement of atmospheric pressure?</p> <p>A its cross-sectional area</p> <p>B its height</p> <p>C its temperature</p> <p>D its thermal capacity</p>
---	---